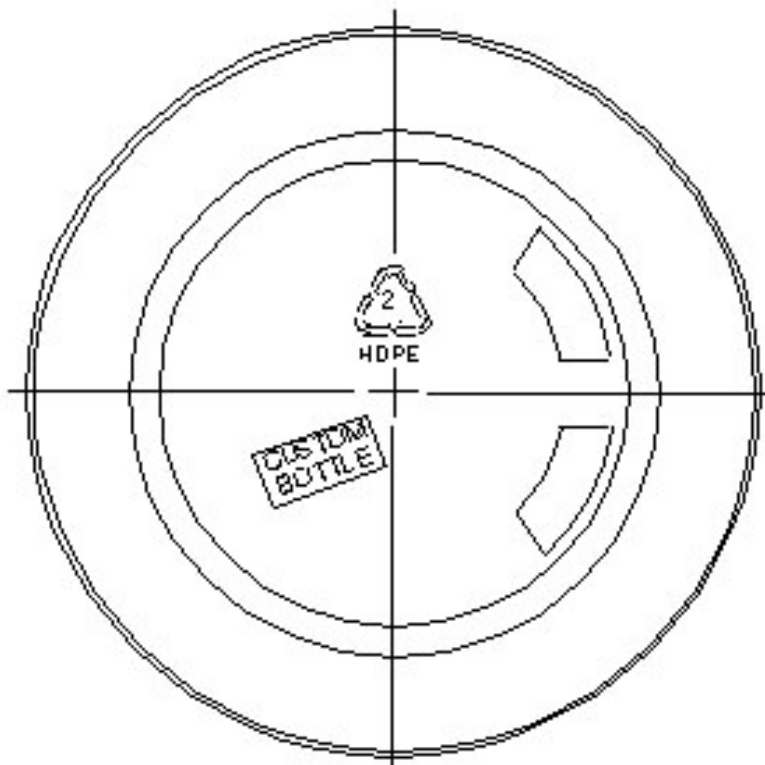
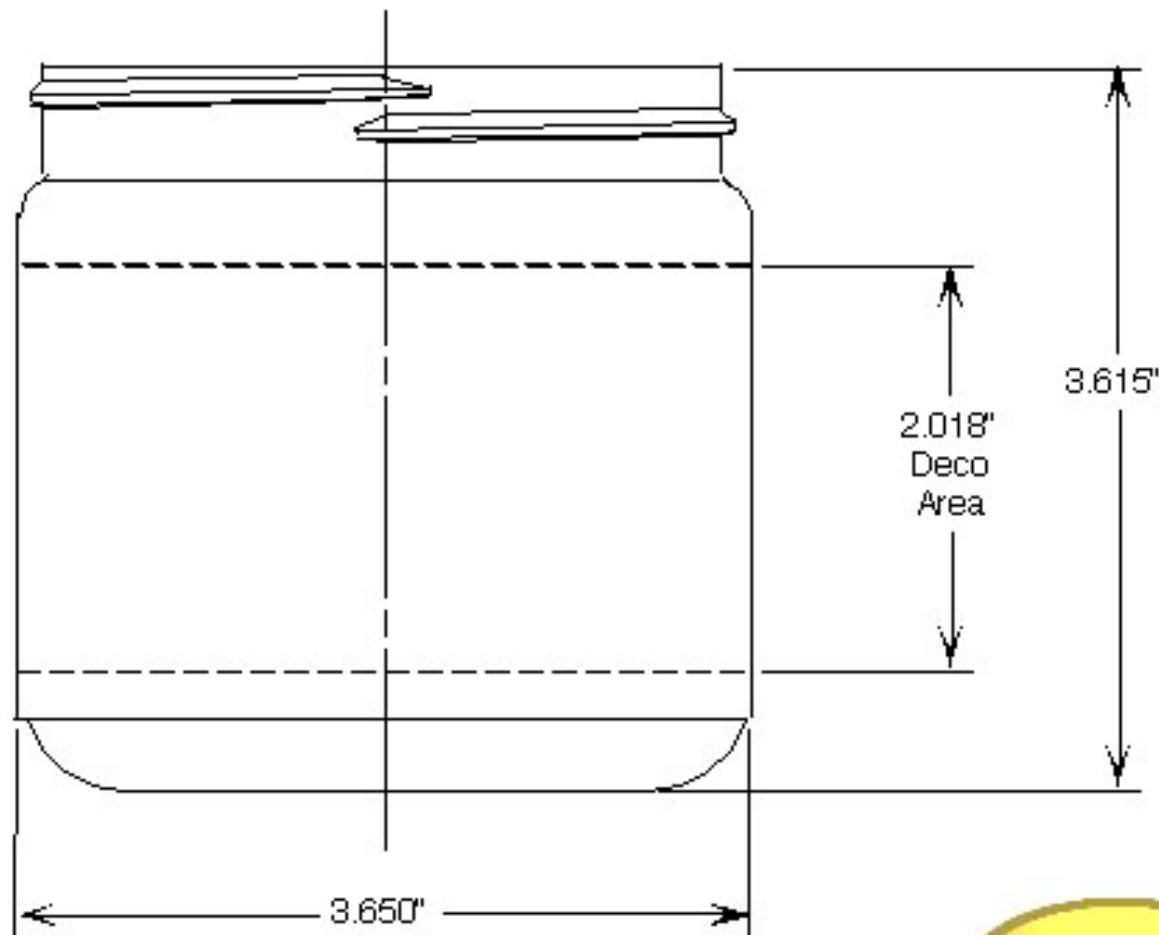



Stack Mold Design  
Alternate Heights Available



Screen Printing:  
Max. Height 2.018"  
Max. Width 10.746"

		Custom Bottle 10 Great Hill Road Naugatuck, Connecticut 06770 203-723-6361 phone 203-723-6363 fax	
		Material	Weight
HDPE	35 +/- 2 gr.	.012"	553 +/- 13 cc
LDPE	Call Sales		
All Tolerances per SPI			Scale: Full
<b>16 oz. WIDE MOUTH JAR</b> <b>89/400</b>			