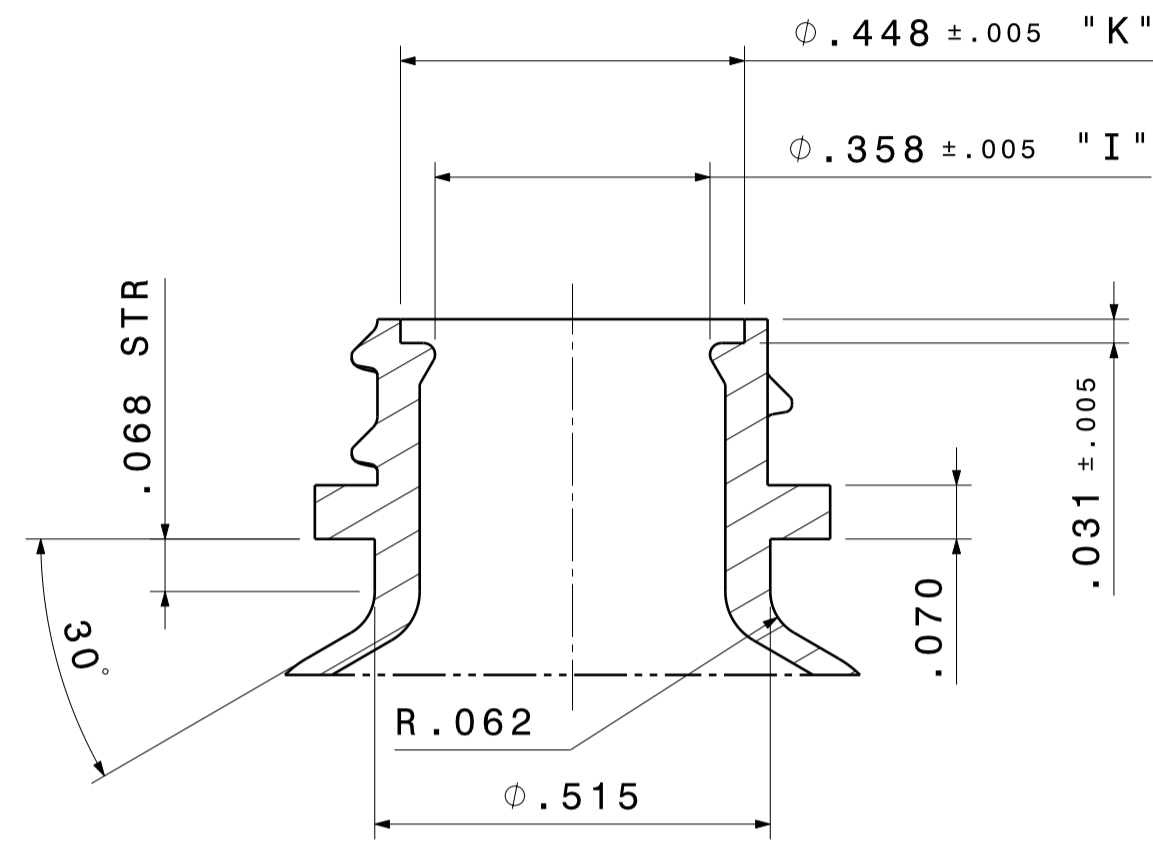
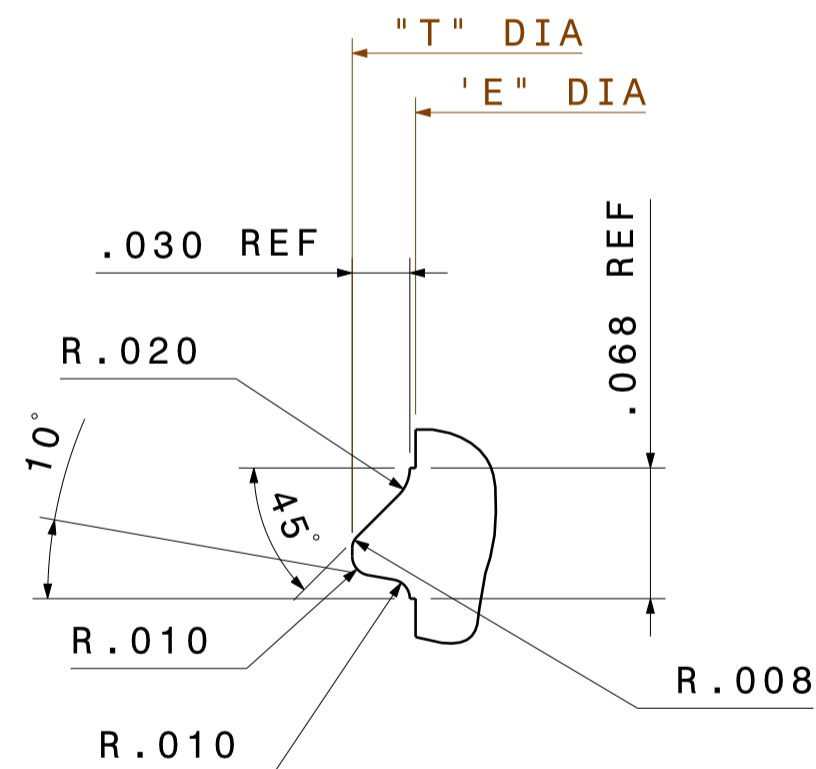
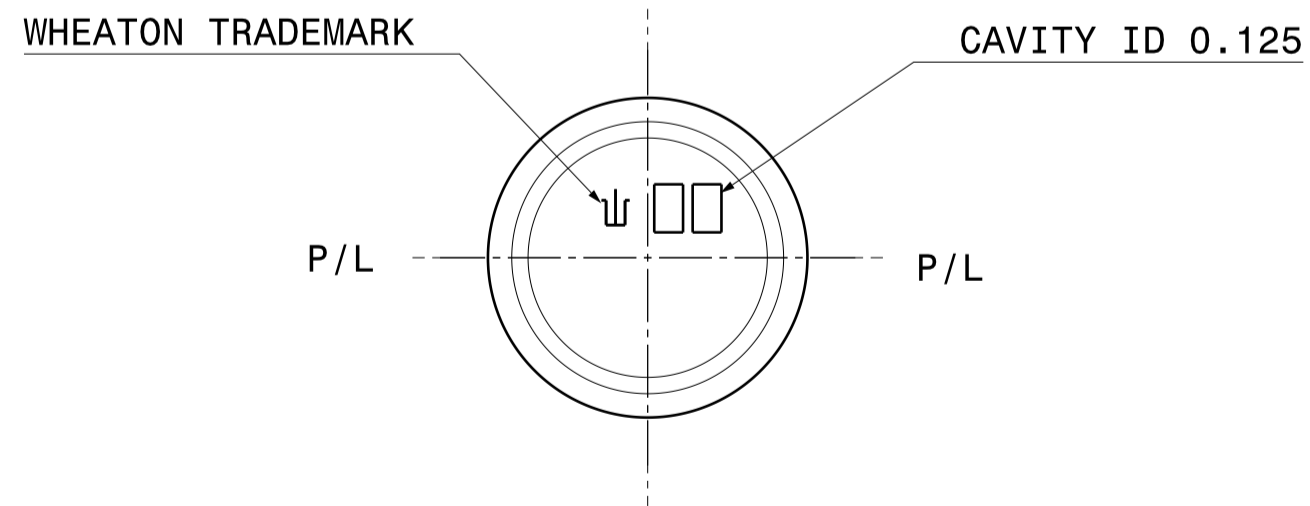


REAR VIEW
Scale: 2:1



NECK DETAIL
Scale: 4:1



THREAD DETAIL
Scale: 10:1

Rev	Description	By	Date	ECR
G	REDRAWN IN ACAD	DMT	12-22-97	
-	Update title block and notes. Replace tolerance block with note 2 No physical change to part.	JCG	27JUN12	416411512347-002

- NOTES:
- (1) DIMENSIONS ARE IN INCHES.
 - (2) ALL DIMENSIONS APPLY AFTER FLAMING.
 - (3) ALL DIMENSIONS NOT TOLERANCED ARE FOR REFERENCE ONLY.
 - (4) TOLERANCES APPLY TO THE AVERAGE OF TWO MEASUREMENTS TAKEN 90° APART ON DIAMETERS. FIRST OF THESE MEASUREMENTS SHOULD BE TAKEN 15° OFF OF THE PARTING LINE.
 - (5) SPECIAL M15 NECK FINISH
1 TURN OF THREAD
12 T.P.I.
 - (6) MIN WALL THICKNESS: .010"

CONFIDENTIAL

Capacity Specification

Overflow Capacity	8.6 ± 0.75	ml
-------------------	------------	----

Volume & Weight Information

Calculated Overflow Capacity:	ml	Calculated Fill Line Capacity:	ml
Total Mat'l Vol.: 2.7	cc	Material: LDPE	Container Target Weight: 2.5 ± 0.5
Total Surface Area: sq.cm		As Blown Density: .920	gm/cc
		Avg. Wall Thickness:	

Drawing Information

Process: IBM	Finish Drawing:	Reference:
Date: 11-8-94	Drawn By: R. PRITCHETT	Customer: STOCK
Title: 7 1/2cc BOSTON ROUND		

Drawing Type: PRODUCT DRAWING	Rev.:	 Amcor Rigid Plastics 625 Sharp Street Millville, NJ 08332, USA
Drawing Number: C 21223	Rev. G	

CONFIDENTIAL

3D CAD IS THE MASTER MODEL FOR THIS PRODUCT

THIS DOCUMENT IS THE EXCLUSIVE PROPERTY OF AMCOR RIGID PLASTICS. THE INFORMATION CONTAINED HEREIN, AND ANY MODEL CONTAINER, PREFORM OR OTHER ARTICLE RECEIVED, IS OF A CONFIDENTIAL AND PROPRIETARY NATURE AND MUST BE USED ONLY FOR THE PURPOSE FOR WHICH IT IS DISCLOSED. THE HOLDER AGREES NOT TO DISCLOSE TO A THIRD PARTY AND TO RETURN THE SAME TO AMCOR RIGID PLASTICS UPON COMPLETION OF USE OR REQUEST. THIS DRAWING IS NO LONGER A CONTROLLED DOCUMENT WITHIN AMCOR RIGID PLASTICS. DO NOT ASSUME THAT THIS IS THE CURRENT DRAWING.