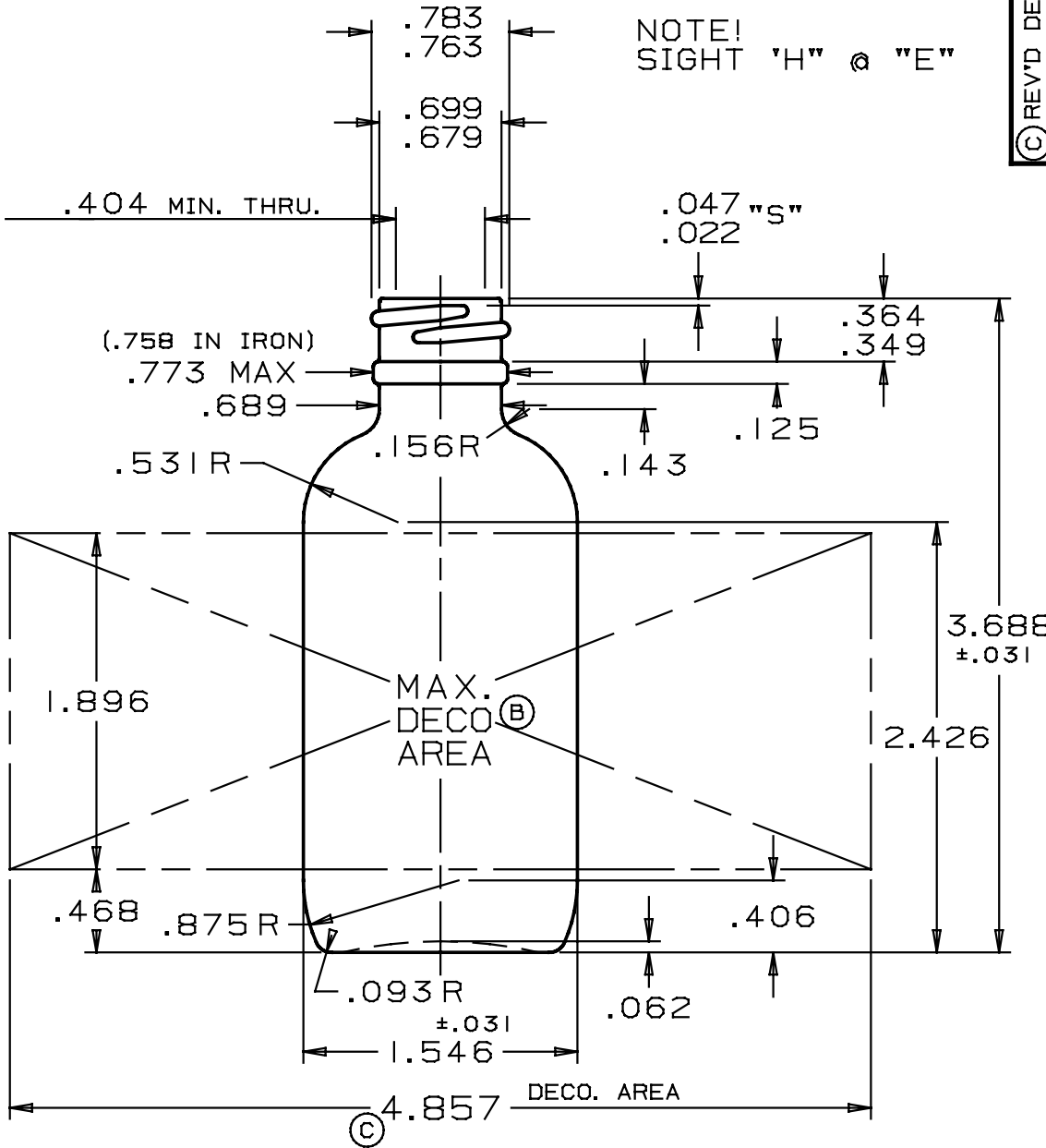


DEPRESSED THD @ SEAMS



NOTE!
SIGHT "H" @ "E"

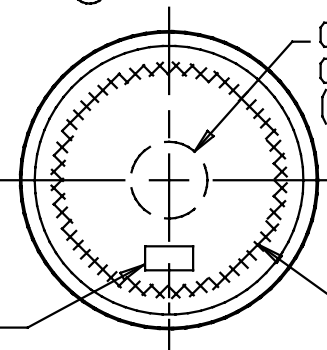
(C) REV'D DECO AREA	8/4/11
(B) REV'D DECO AREA	7/25/11
(A) REMOVED GLASS TYPE	11/22/04
REVISIONS	

MOLD REGISTER NO.	S-4588R	DATE DRAWN	4-18-03
SCALE	FULL UNLESS OTHERWISE NOTED	DRAWN BY	E.CHANCE
APPROX. WGT.	2.203oz	CHECKED BY	

CUSTOMER	BOSTON ROUND
TITLE	BOSTON ROUND
PRACTICAL FILL	2 oz.
CAPACITY	62.2cc-65.8cc O.F.
FINISH	GPI 400-20-405

PIRAMAL GLASS
knowledge action care
MARLTON, NJ USA

DRAWING No: **E-39594C**



CODING DOTS TO APPEAR ON A .200 RADIUS (CODING DOTS ARE OPTIONAL)

STIPPLE BEARING SURFACE

CAVITY No.

E-39594A

62.49 GRAMS (A)