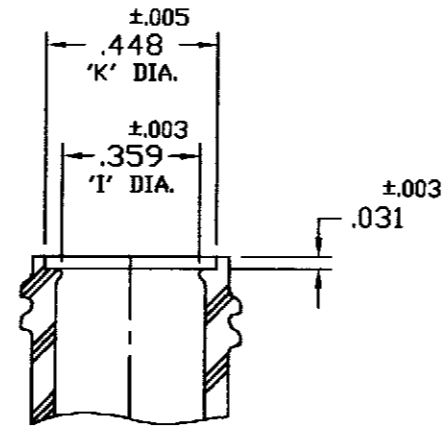
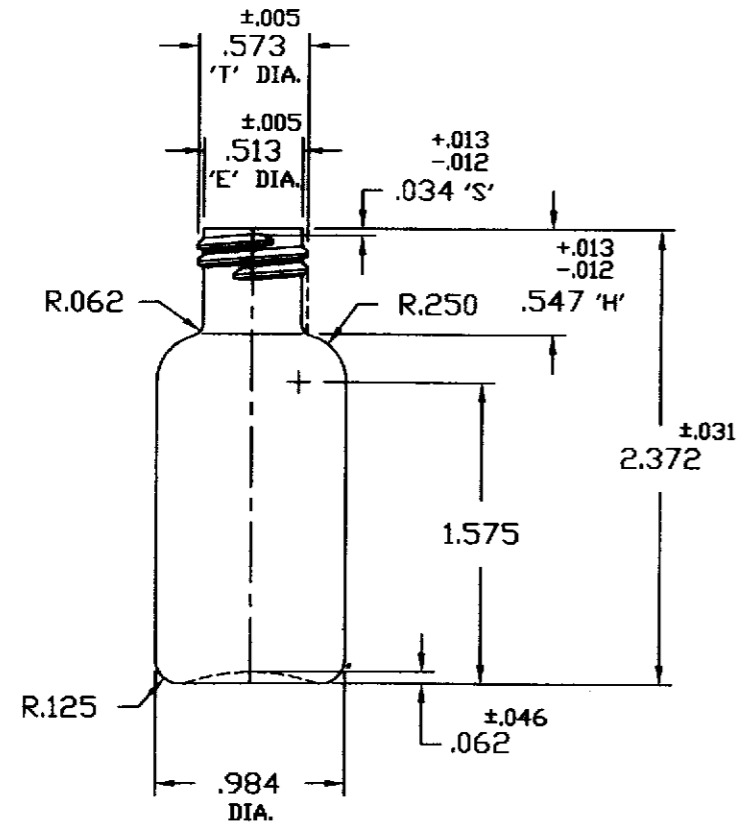
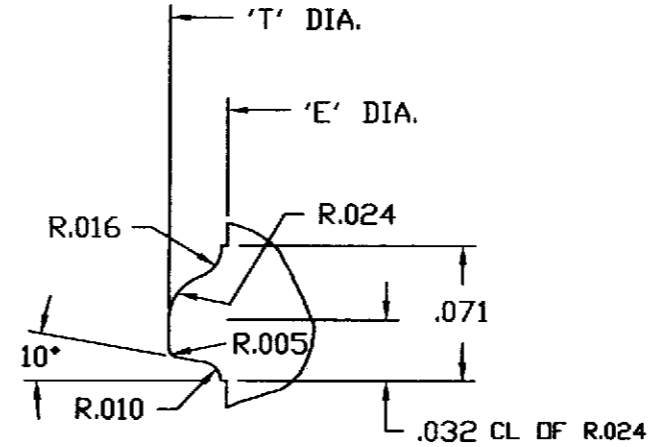


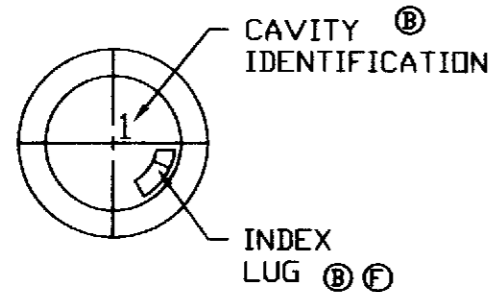
REV	REVISION DESCRIPTION	BY/DATE
A	3.3 GRAMS WAS 3.8 GRAMS	JGS 9-1-65
B	BOTTOM PLUG REVISED	CLM 2-4-74
C	3.3 ±.5 GRAMS WAS 3.3 GRAMS	DJD 10-31-74
D	3.5 ±.5 GRAMS WAS 3.3 GRAMS REAR VIEW DELETED	DJD 2-17-75
E	REDRAWN AND ADDED THREAD DETAIL FLAMED & LEHRED CHART REMOVED	EJS 4-9-96
F	UPDATED BOTTOM PUSH UP	LAS 5-1-98
G	ADDED 0.010 MINIMUM WALL THICKNESS NOTE & UPDATED TITLE BLOCK	R.R. 08-24-00



NECK DETAIL
SCALE 2:1



© THREAD DETAIL
SCALE 10:1
12 TPI



NOTE:
TOLERANCES APPLY TO THE AVERAGE OF
HIGH AND LOW POINT ON DIAMETERS(S).

NOTE:
ALL DIMENSIONS APPLY AFTER FLAMING.

15/415 NECK FINISH
MODIFIED BUTTRESS THREAD FORM
CAPACITY: 19.6 ±.75 cc OVERFLOW
©©© WEIGHT: 3.5 ±.5 GRAMS
© 0.010 MINIMUM WALL THICKNESS

PA\DWG\20639

MC - LDPE	algroup wheaton pharmaceutical and cosmetics packaging 1101 wheaton avenue millville, nj 08332-2047, usa	TITLE: 0.5 oz. BOSTON ROUND			
NFC - 415		CUSTOMER: STOCK			
SC - 113		MATERIAL: POLYETHYLENE (LOW DENSITY)			
DIMENSIONS ARE IN INCHES.	This confidential drawing has been furnished by algroup wheaton inc. The information and technology thereon may not be used nor the drawing reproduced without the expressed written consent of algroup wheaton inc.	DRAWN BY: L. SIMPKINS	DATE: 12-05-64	CHECKED BY: <i>Gene May</i>	
TOLERANCES UNLESS OTHERWISE SPECIFIED: DECIMALS ±0.015		PROJECT No. 69-356	SCALE: FULL	DWG: B-20639	REV: G