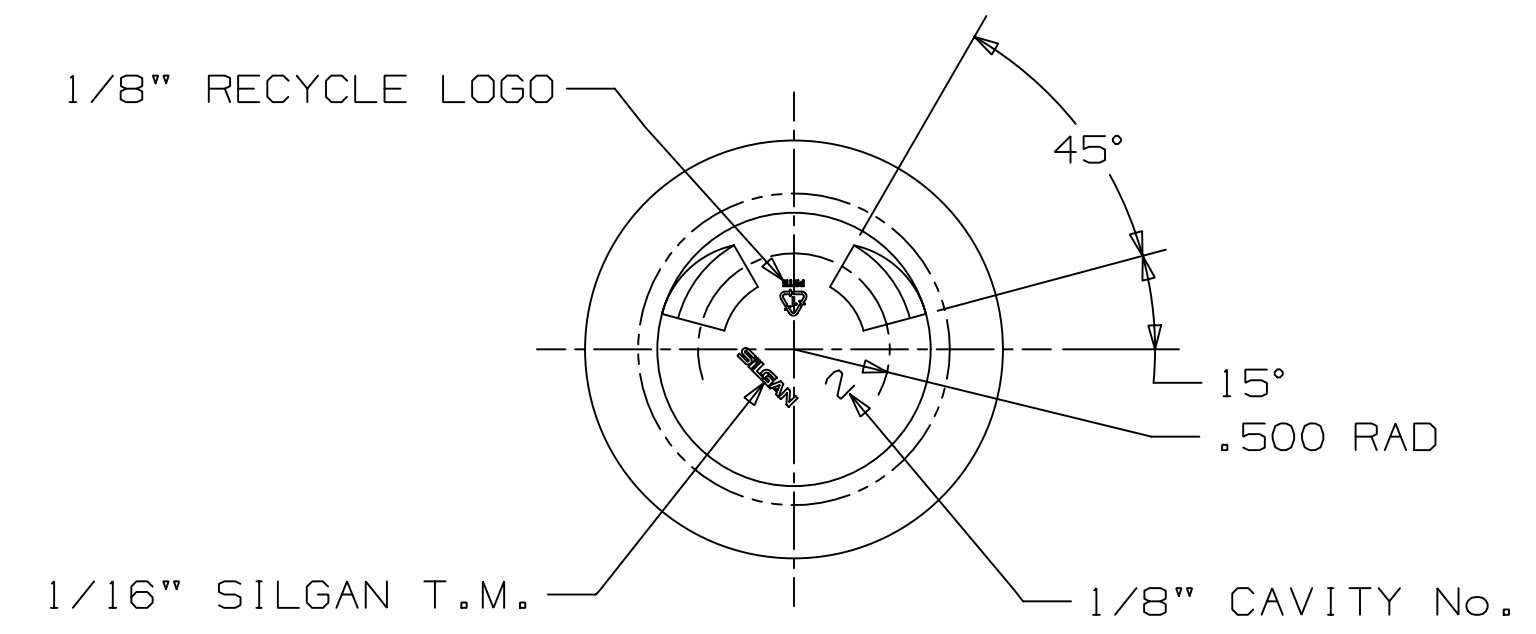
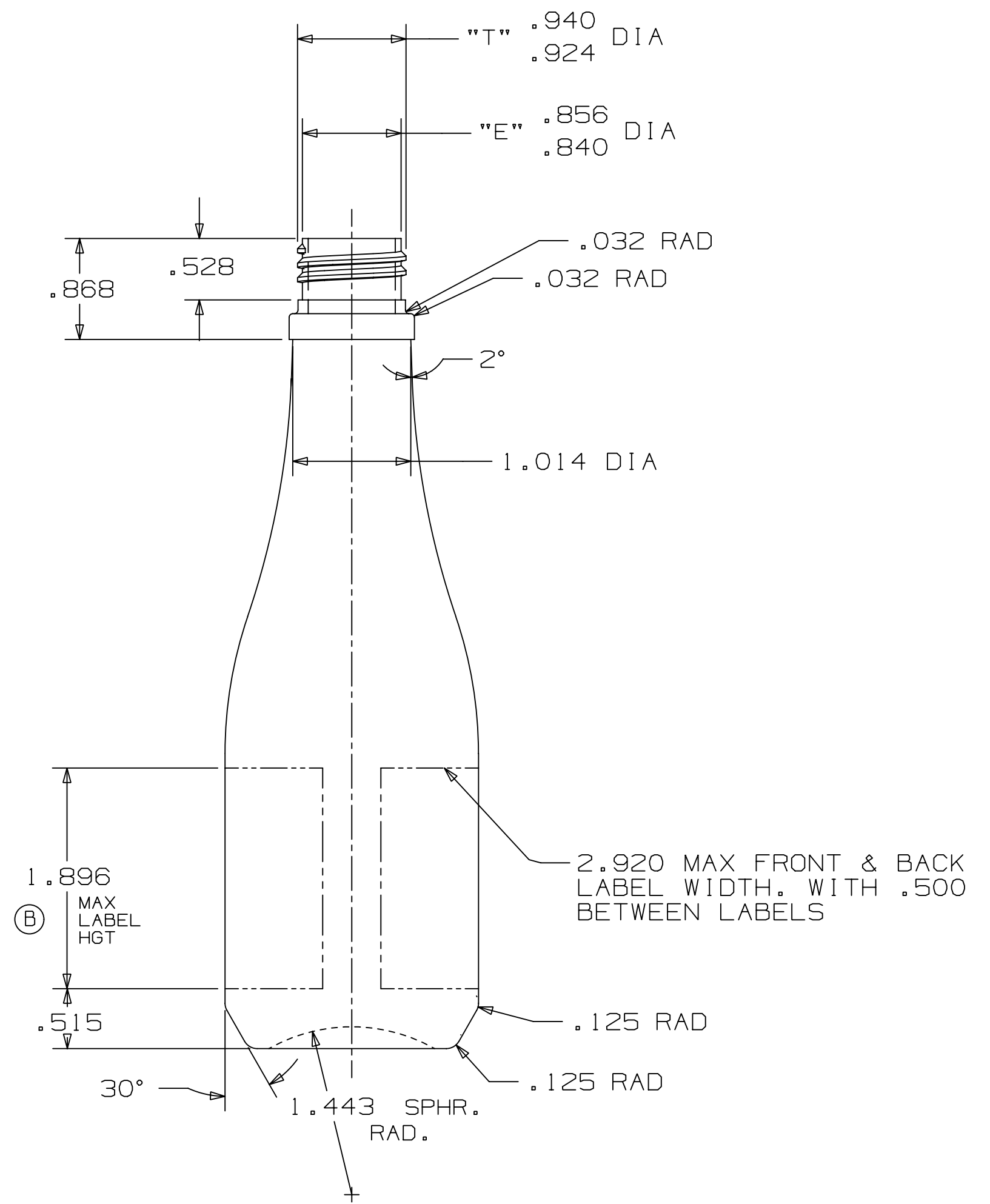
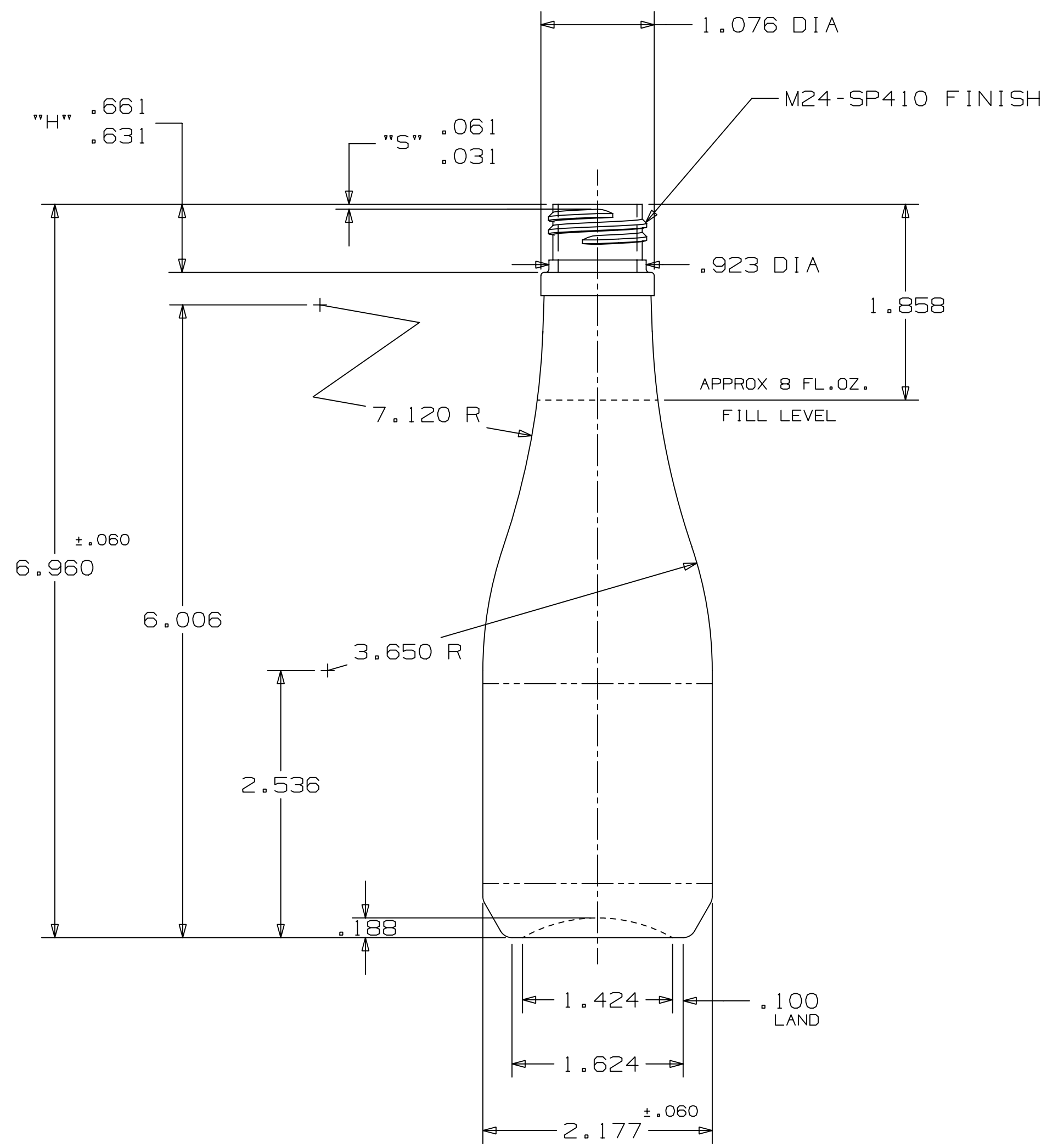
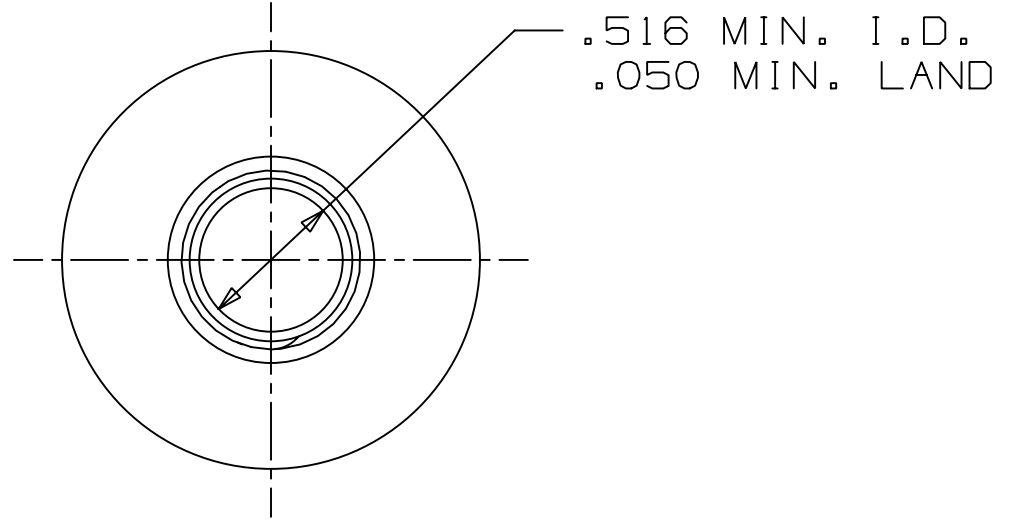



REVISIONS			
LTR	DESCRIPTION	DATE	APPROVED
A	RFP	12NOV02	KENT
B	REVISED DECO ARE & ADD LABEL DWG #	26APR04	KENT



- NOTES :
- 1) OVERFLOW CAPACITY : 8.64 ± .24 FL.OZ. (255.5 ± 7.0 CC'S.)
 - 2) WEIGHT : 23.0 ± 2.0 GRAMS

DIMENSIONS SHOWN ARE:		DRAWN BY KENT	MATERIAL PET	CUSTOMER SILGAN PLASTICS CORP.
<input checked="" type="checkbox"/> AS MOLDED	<input type="checkbox"/> AFTER TREAT	DATE 15MAY02	QUOTE NO.	DESCRIPTION 8 FL.OZ. KEUKA ROUND
<input type="checkbox"/> AFTER TREAT & OVEN		INFO. ml668	LABEL DWG. NO. L-393	 TECHNICAL CENTER 1858 MECA WAY NORCROSS, GA 30093
THIS DRAWING HAS BEEN PREPARED BY SILGAN PLASTICS FOR OUR OWN PRODUCTION OF THE ARTICLE SHOWN AND MAY NOT BE COPIED OR UTILIZED BY OTHERS WITHOUT OUR PRIOR WRITTEN CONSENT.		CAD UG	REF. DWG. NO. S-1668	
		SCALE FULL	TOOLING NO. 9312	
			CODE NO. 00M-45209	
			SURF. AREA 41.1 IN2	DRAWING NO. D-00-5145-B