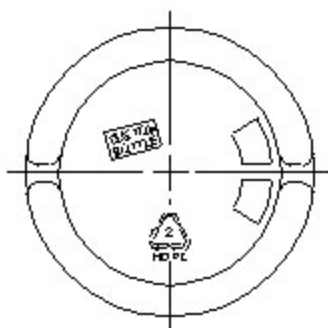
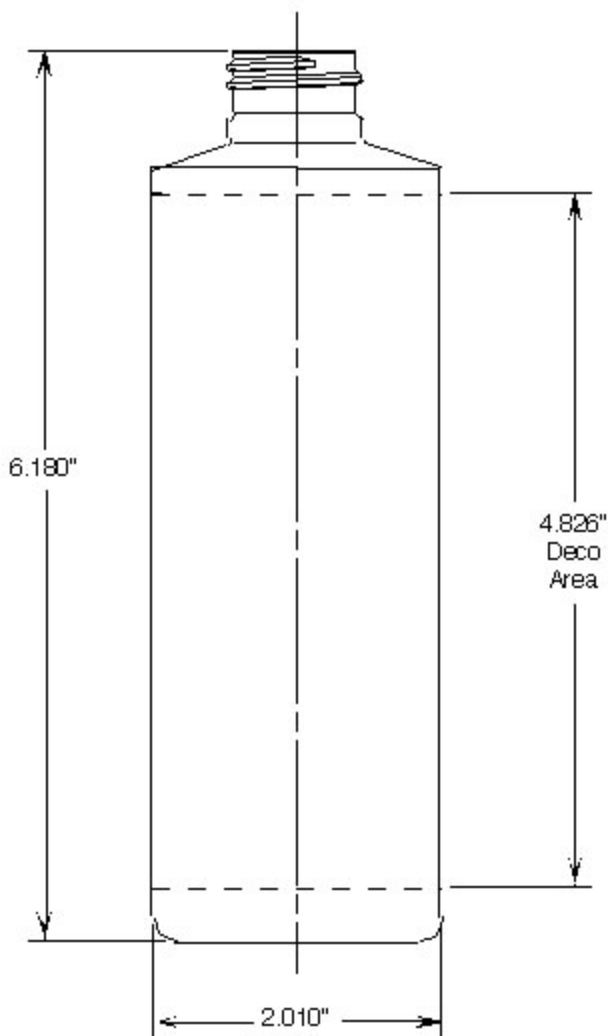


Stack Mold Design  
Alternate Heights Available



Screen Printing:  
Max. Height 4.826"  
Max. Width 5.960"

**CUSTOM BOTTLE**  
Custom Bottle  
10 Great Hill Road  
Naugatuck, Connecticut 06770  
203-723-6361 phone  
203-723-6363 fax

Material	Weight	Min. Wall	Overflow Capacity
HDPE	21 +/- 1.5 gr.	.012"	265 +/- 7 cc
LDPE	22 +/- 1.5 gr.		

All Tolerances per SPI | Scale: Full

**8 oz. COSMETIC CYLINDER  
24410**