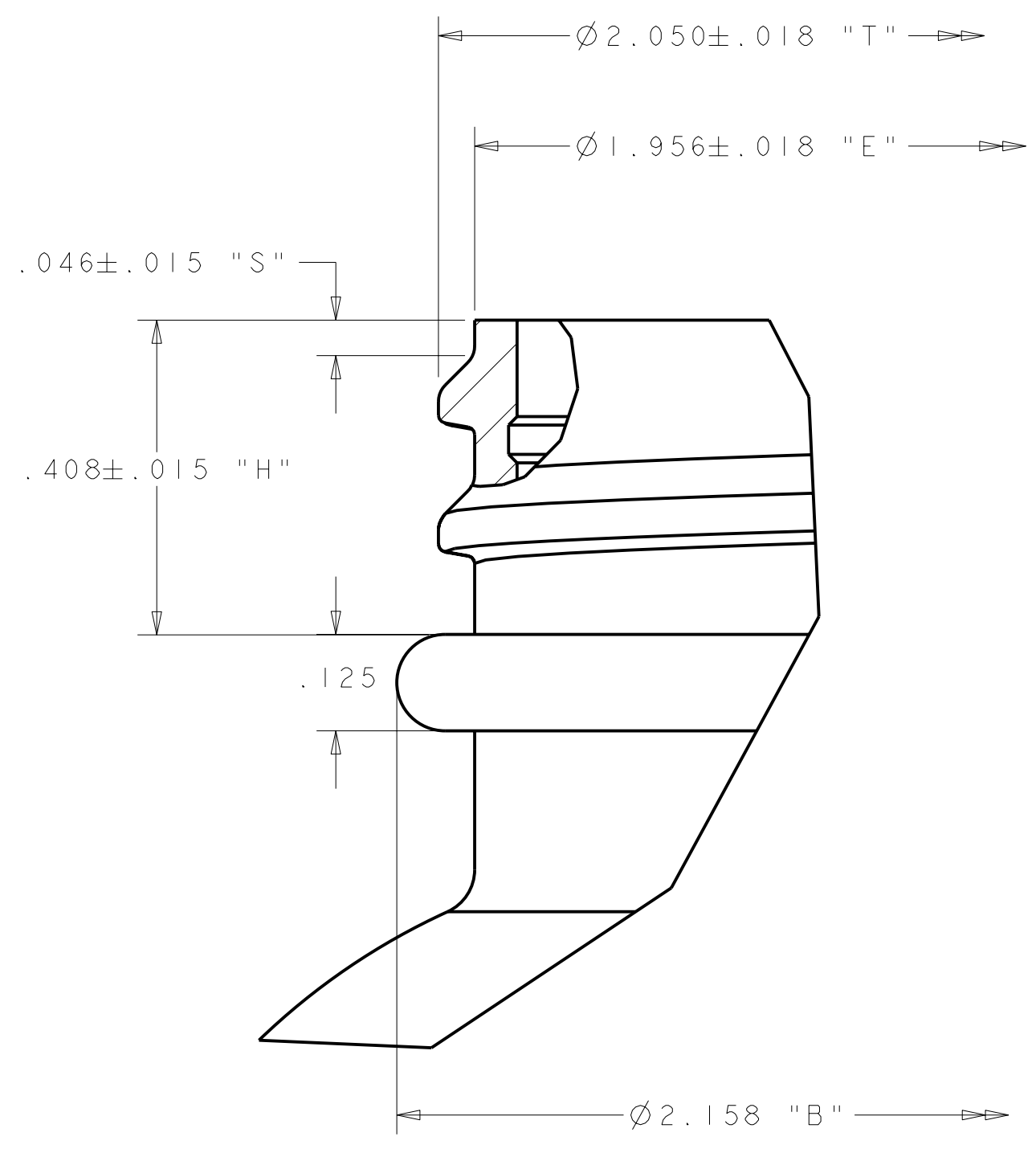
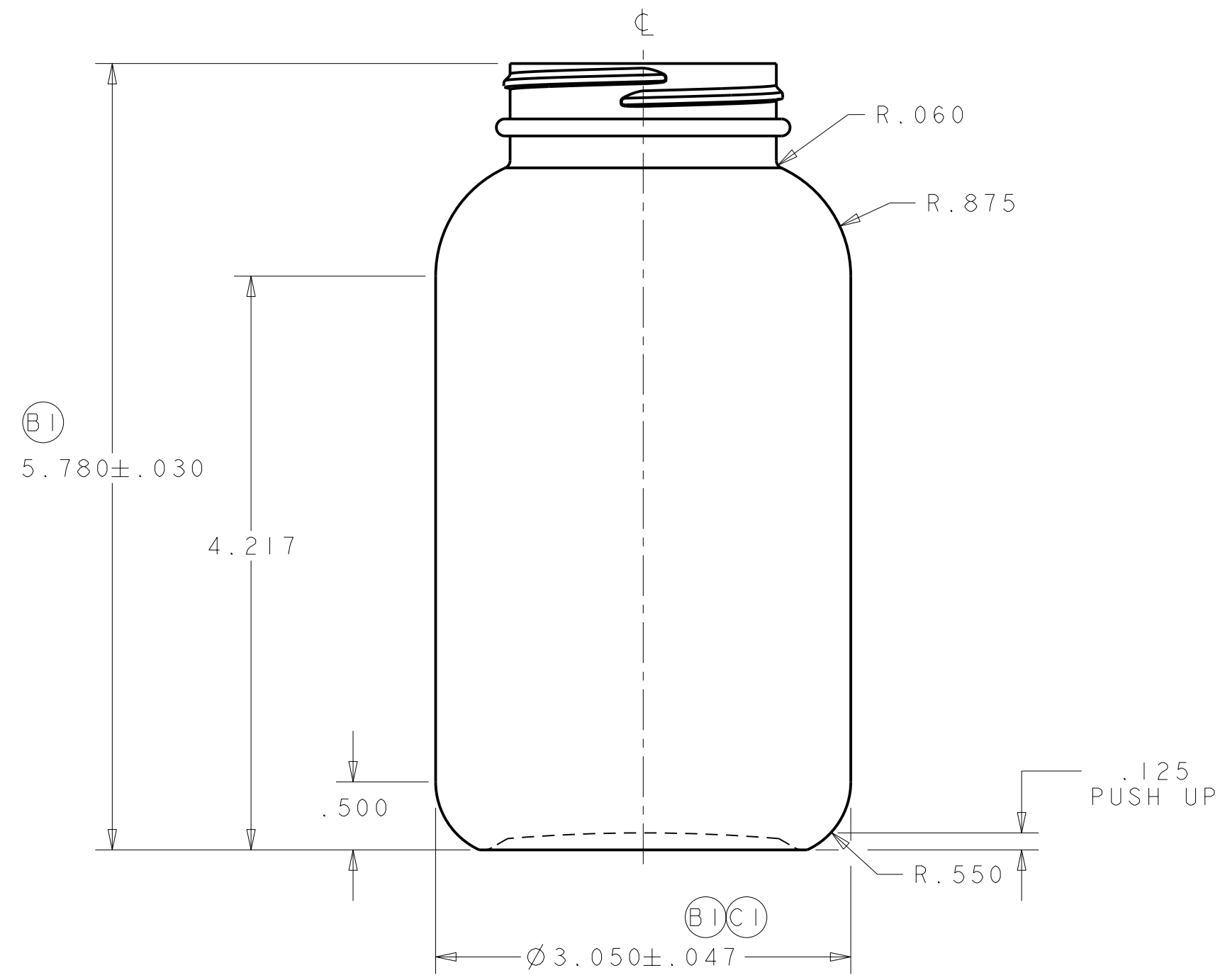
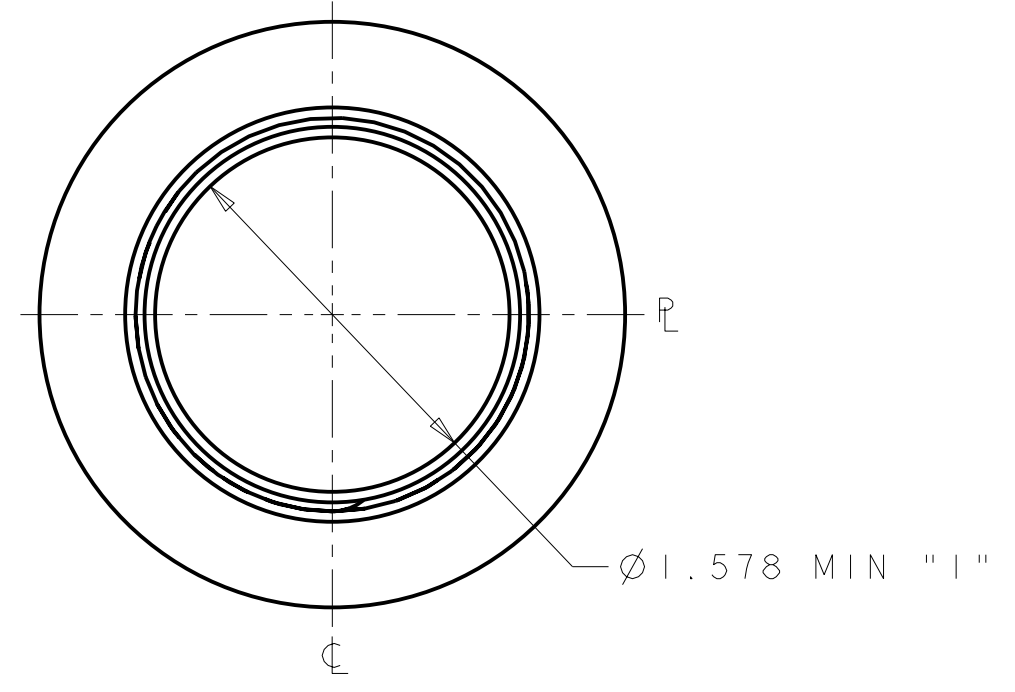
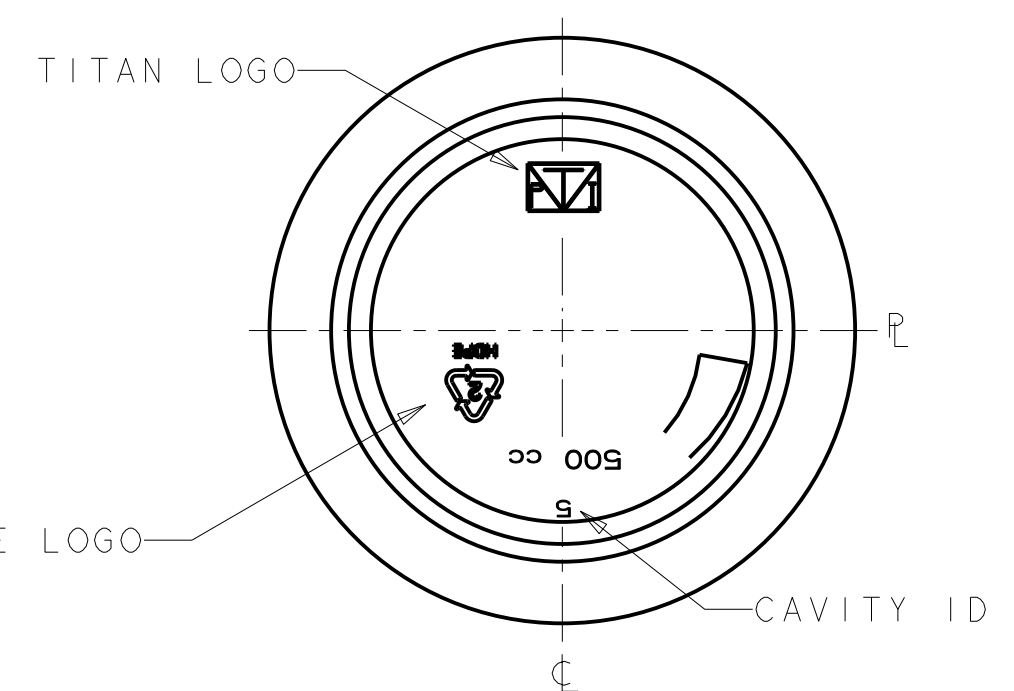


NOTICE
 INFORMATION CONTAINED HEREIN CONSTITUTES PROPRIETARY CONFIDENTIAL AND TRADE SECRET INFORMATION OF OWENS-ILLINOIS, INC., AND IS TO BE ACCEPTED SUBJECT TO THAT UNDERSTANDING. IT IS TO BE KEPT CONFIDENTIAL AND NOT TO BE COPIED, USED OR CONVEYED TO OTHERS WITHOUT OWENS-ILLINOIS' WRITTEN AUTHORIZATION.

DRAWING NO. C-I-75809-01A-00		REV. C
REVISIONS		
	REF C1-27454-1	
A	A1 ADDED SHEET 2	IDT 02-21-02
B	B1 WAS ±.060 B2 MOVED TO NOTE # 3 B3 ADDED NOTE # 3	IDT 03-19-02
C	C1 WAS ±.030	DPD 2-6-04



FINISH DETAIL
SCALE 5:1



- NOTES:
- 1) NECK FINISH - M53SP400 6 TPI
1 FULL TURN OF THREAD
 - 2) REF. TITAN DWG. # B-07-95-01
 - 3) 36.0 NAT/ 36.7 WHT GRAMS±2.5 (B3)

ALL DIMENSIONS ARE REPRESENTATIVE ONLY!
 FINAL SIZES TO BE DETERMINED AFTER
 CONTAINERS ARE MANUFACTURED.

"REFERENCE PRODUCT CENTER FOR CURRENT DRAWING"

OWENS-BROCKWAY
500 CC
WIDE MOUTH ROUND

DIMENSIONS NOT TOLERANCED ARE PER S.P.I. STANDARDS
 DIMENSIONAL TOLERANCES UNLESS OTHERWISE SPECIFIED ±.030 HEIGHT ±.030 BODY
 NOTE: DIMENSIONAL TOLERANCES DO NOT APPLY TO FINISH DIMENSIONS OR TO LOCATION OF FILL POINT

(B2)	HDPE	570.0±13.0 CC 19.28±.44 FL OZ	CC FL OZ
WEIGHT GRAMS	MATERIAL	OVERFLOW AS MOLDED: TREAT ONLY, PAPER LABEL, UV SILKSCREEN, IML, HOT STAMP, PRESSURE SENSITIVE	OVERFLOW AFTER PRE & POST FLAME: HEAT TRANSFER LABEL, SILKSCREEN OVENS
MOLD NO. I-75809	DRAWING NO. C-I-75809-01A-00	REV C	

PART LIB: CMS	DESIGNER I TRENT & DATE 11-15-01
DESIGN AUTHORIZATION MEA 101738	P.D.E. B MATTISON

