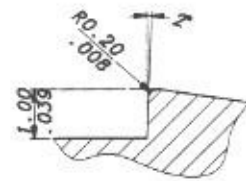
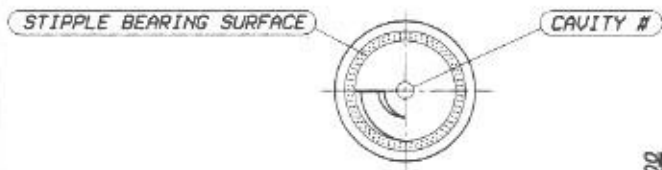
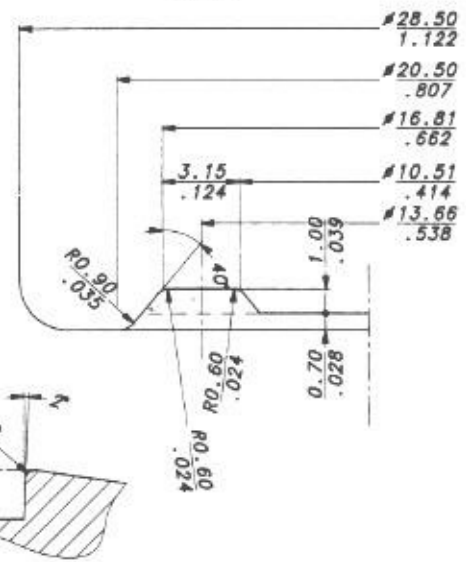
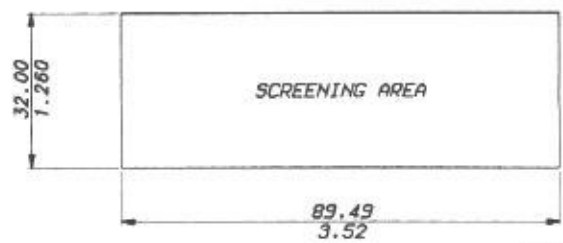
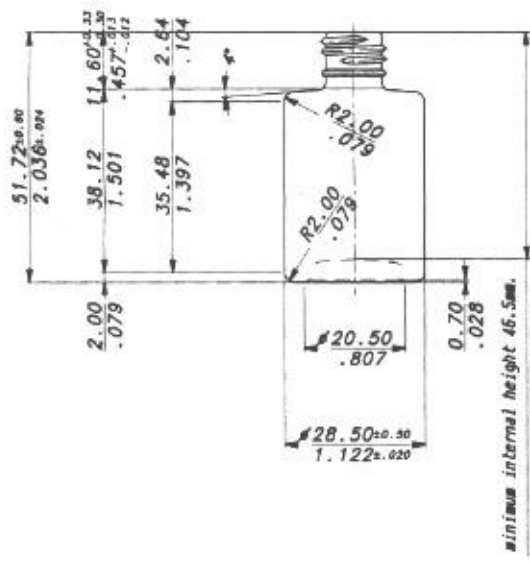
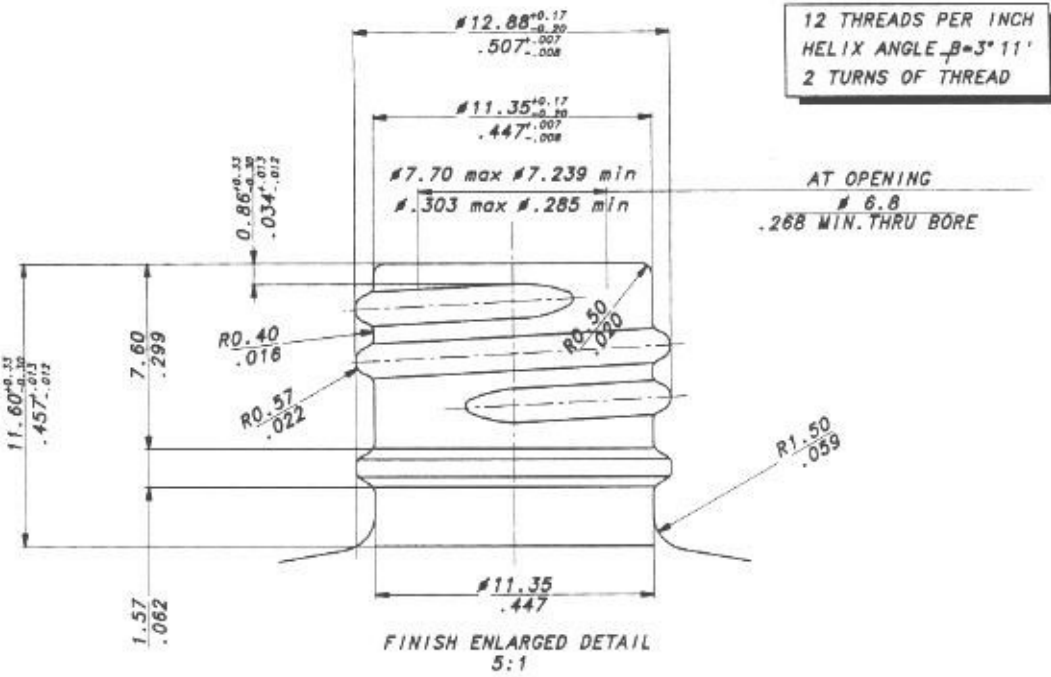


THIS PRINT IS PROPERTY OF NEW-HIGH GLASS INC. AND RETURNABLE UPON REQUEST. IT MUST NOT BE REPRODUCED OR INFORMATION HEREIN TRANSMITTED IN ANY WAY WITHOUT THE WRITTEN CONSENT OF THE PROPRIETOR.



millimeters
inches



NEW HIGH GLASS Inc.		12713 S.W. 125 AVENUE MIAMI FLORIDA 33186	
REQUESTED BY		DRAWING NO	3123-5
STYLE	THAMES T2	SCALE	1:1 - 5:1
FINISH	13-415	DATE	30/08/1987
CAPACITY	16 ^{+0.8} / ^{-0.6} ML	APPROX. WEIGHT	25 gr

6	CAMBIATO PESO VETRO "ERA 27 gr"				28/06/2000	
4	AGGIUNTO PARTICOLARE TACCA				15/06/1999	
3	MODIFICATA ALTEZZA PIGURE				28/04/1994	
2	MODIF. INDICAZ. SU ALTEZZA INTERNA				16/06/1993	
1	CHANGED NAME IT WAS "THAMES TAL SOL BOTTLE"				20/07/1987	
AMENDMENT					DATE	
No	DC	UPPD	SAT	MAG	VE/S	A/FI
1	1	1	1	1	1	1

DIMENSIONS WITHOUT TOLERANCES ARE IN CONFORMITY WITH ISO 2708-7